



3154 Exon Avenue, Cincinnati, Ohio 45241
 Phone 513-769-6505 Fax 513-769-6510
 orders@customcastmarbleworks.com

Customer _____
 Street _____
 City/State/Zip _____
 Phone # _____

Date _____ Need By _____

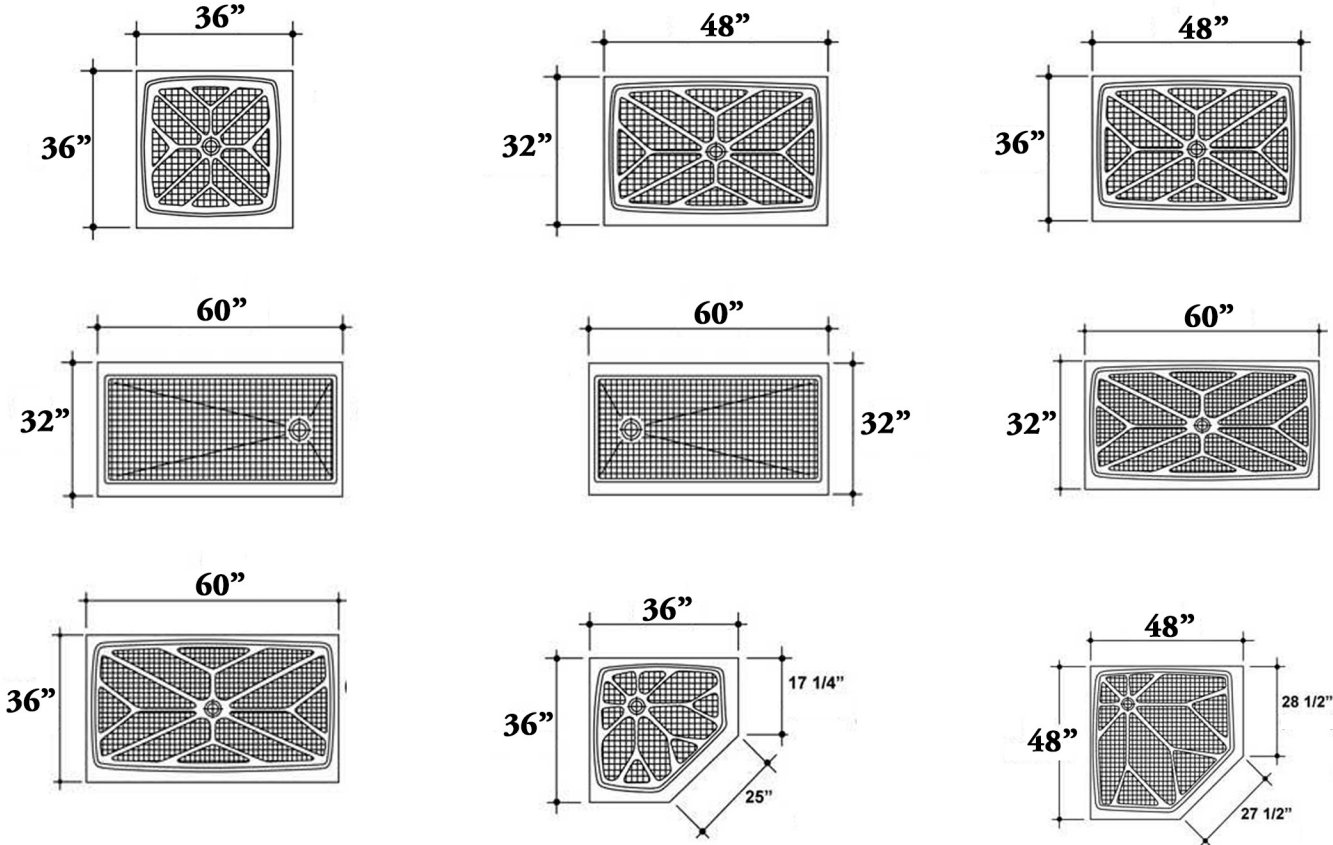
Purchase Order # _____

Job Name _____

No cancellations or changes can be made after 48 hours.

Standard Size Shower Base Order Form

* Cast stone products are man made and just as with natural stone the color and veining may tend to vary from samples



COLOR NAME & # _____

FINISH Gloss
 Matte

Textured areas of shower bases cannot be matted - only smooth areas such as thresholds.

Cost _____
 F.S. _____

Circle the shower base you would like to order.

Contact _____
 Phone _____
 Fax _____
 Email _____

INTERNAL USE ONLY

Mix Number	Mold	Setup by	Setup checked by	Sprayed by	Finisher	QCI